

# LDS SERIES OUTDOOR LIGHTING

LDS-MCT5-DT-PIR-BK  
10 OUTDOOR/INDOOR LED DECORATIVE WALL SCNCE WITH PIR SENSOR

**MCT** MCT: Multi Color Temperature (Selectable)

**WESTGATE**  
THE FUTURE IS HERE...AND IT'S QUITE BRIGHT!



Selection:



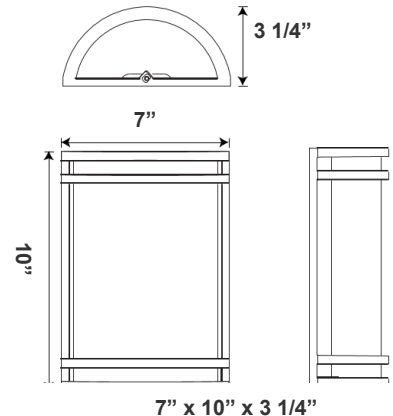
Ideal for Hallways, bedrooms, laundry rooms, bathrooms, alleys,  
Loading docks, doorway, pathway

Customer Name: \_\_\_\_\_

Project Name: \_\_\_\_\_

Note: \_\_\_\_\_

Type: \_\_\_\_\_



## Features

- Multi CCT (Selectable Switch on the LED Board )
- Direct Replacement for Fluorescent
- Oil-Rubbed Bronze Finish
- 7-Year Warranty
- Housing: Steel base with Die-cast Rings
- High-Transmission Frosted Plastic Lens With Excellent Distribution and Uniformity

## Technical Specifications

### Electrical:

- Voltage: 120V AC 50/60Hz
- Output Voltage: 36VDC
- Power Factor: >0.90
- Wattage: 15W
- Efficacy: 65 LPW
- Total Harmonic Distortion: ≤15 %

### Mechanical:

- Oil-Rubbed Bronze Finish
- Housing: Steel base with Die-cast Rings
- 120V TRIAC Motion Sensor - 100%-30% after 1 minute
- High-Transmission Frosted Plastic Lens With Excellent Distribution and Uniformity
- Maximum Ambient Temperature: 50~113°F
- Rated life: 50,000 Hrs
- Wet Location

### Lighting:

- Dimming: TRIAC Dimming (Using Standard TRIAC LED Dimmers)
- Total Lumens: 980LM
- Color Temperatures: 2700K/3000K/3500K/4000K/5000K
- Multi CCT (Selectable Switch on the LED Board )
- Color Rendering Index: CRI ≥ 80
- Beam Angle: 120°

### Applications:

- Hallways, bedrooms, laundry rooms, bathrooms, alleys, Loading docks, doorway, pathway.

### Other Models:

- 15W | 980LM | LDS-MCT5-DT-SIL

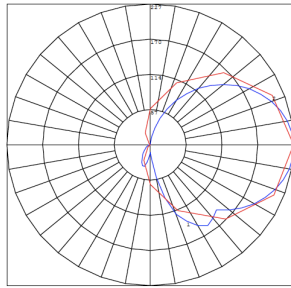
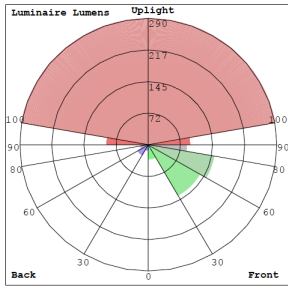


Phone: (877) 805-2252 | Fax: (877) 805-2252  
www.westgatemfg.com |

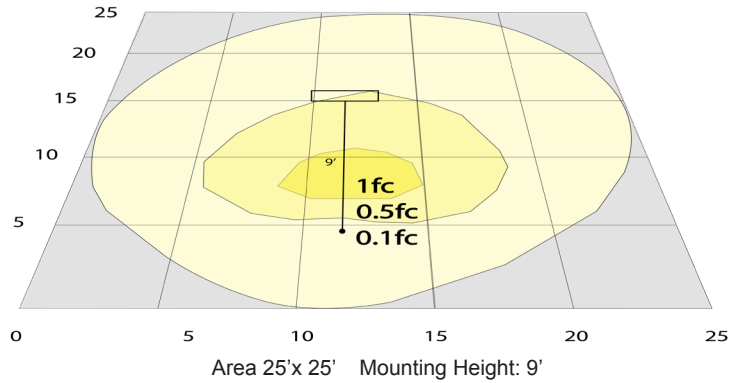


WG-Z9-Z1-Z2

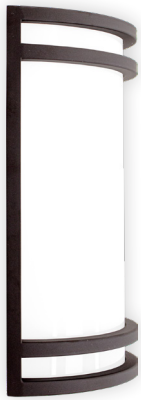
## Photometrics: LDS-MCT5-DT-PIR-ORB



BUG Rating: B0-U3-G1



## Other Views:



Side View



Front View



Back View

## Performance Table: LDS-MCT5-DT-PIR-ORB

MODEL NO.	Wattage	Voltage	Lumens	Color Temp.	BUG Rating	LPW
LDS-MCT5-DT-PIR-ORB	15W	120V	980LM	2700K/3000K/3500K/4000K/5000K	B0-U3-G1	65

## Sample Ordering

Model	Color Temp.	Dimming	Sensor	Finish				
LDS	-	MCT5	-	DT	-	PIR	-	ORB

## Factory-Installed Option:

Blank = No Option For Accessories  
OPT-EM-LDS = EMERGENCY BATTERY BACKUP

## FACTORY-INSTALLED OPTION:



OPT-EM-LDS  
EMERGENCY BATTERY BACKUP

